

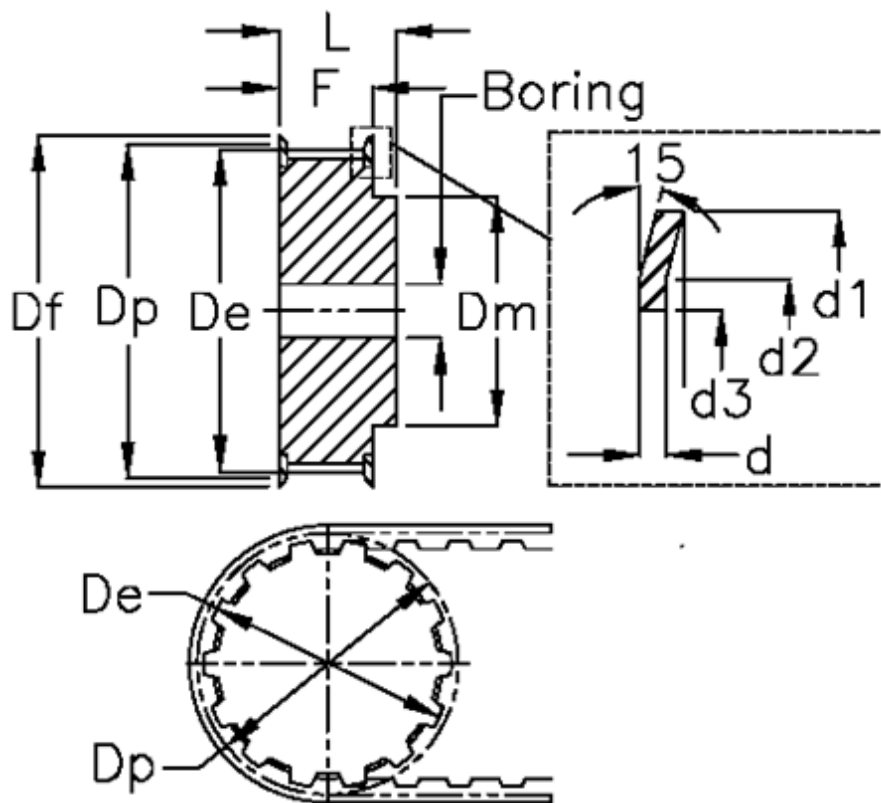
Data Sheet



Article number: 604140036006

Description: Timing belt pulley with hub
HTD 36 3M 6

Measures



Bore = 6	Dp = 34.38
d = 0.5	F = 10.3
d1 = 38	Flange type = F14
d2 = 34	L = 18
d3 = 26.5	Tooth number = 36
De = 33.62	Type = 3M
Df = 38	Weight = -
Dm = 26	Width = 06